

# SOLAR WATER PUMP KIT MODEL: SIG-25HP-A



<b>Model:</b>	<b>SIG -25HP-A</b>
<b>Pump Size:</b>	<b>6"</b>
<b>Capacity in HP:</b>	<b>25</b>
<b>PV Size in kW:</b>	<b>25</b>
<b>Water head range</b>	<b>18 - 51 meter</b>
<b>Water quantity range</b>	<b>20000 - 162500 liter per hour</b>

<b>Quantity</b>	<b>Description</b>
<b>100</b>	<b>Solar panels 250W polycrystalline</b>
<b>1</b>	<b>Water pump inverter 30 kW</b>
<b>1</b>	<b>Water pump 25HP 6", Model:GP125-02-A</b>
<b>1</b>	<b>Support structure for solar panels</b>
<b>200</b>	<b>1 meter DC cables 1x5.6mm R1000 2 core PV panel to pump inverter with thimble at ends</b>
<b>150</b>	<b>1 meter AC cable 3x5,6mm R1000 2 core inverter to main breaker with thimble at ends</b>
<b>1</b>	<b>String box for 8</b>
<b>5</b>	<b>MC4 Connector pair</b>
<b>1</b>	<b>50 Meter Steel wire for pump</b>
<b>1</b>	<b>1 installation tool kit</b>

## **SYSTEM WARRANTY\*:**

Solar modules production:	25 years
Module support structure:	25 years
Inverters:	2 years
Pump:	2 years

## **Quality of Components:**

Manufactured in EU.  
All components in the kit are high quality with CE standard

# Solar Water Pump 25HP

These systems are modular and flexible and can be installed as per your space and requirement. You can ask for additional services as state-of-the-art designing, drawings, engineering and installation of your projects. The solar water pump kits are designed by experts from GENERAL PUMP and SITECNO to meet the need of all kinds of water pumping.

## Application areas

Designed for continuous as well as intermittent operation, the SITECNO solar system is especially suitable for water supply in remote locations such as:

- villages, schools, hospitals, single-family houses, etc.

farms and ranches

- watering of livestock
- irrigation of crops and green houses

game parks and game farms

- watering applications

conservation areas

- surface water pumping

ponds and lakes

- floating pump installations

Water pump range

- 25 HP

Output delivery pipe dia

- 6"

water head

- 18 to 51 meters
- 59 to 168 feet

Water delivery quantity

- 20000 to 162500 litres per hour
- 88 to 715 gallon per minut

## Sizing and selection made simple and easy:

All you need to determine is the following three parameters:

- geographical location
- required maximum head
- required water quantity per day

# Polycrystalline Solar Module 250W

SITECNO Solar Photovoltaic Panels stand for quality, durability and most importantly, high performance. Our experience, capacity of research, continuing development and improvement have turned us into a company recognized in the sector by the high value offered to our clients.

Due to their engineered hollow section frame and its 4mm special textured glass with AR coating, SITECNO modules meet the maximum demands with regard to stability and corrosion resistance.

Thanks to their high performance SITECNO modules are prepared for changes in legislation. These panels will produce 5% more than any other of the same features.

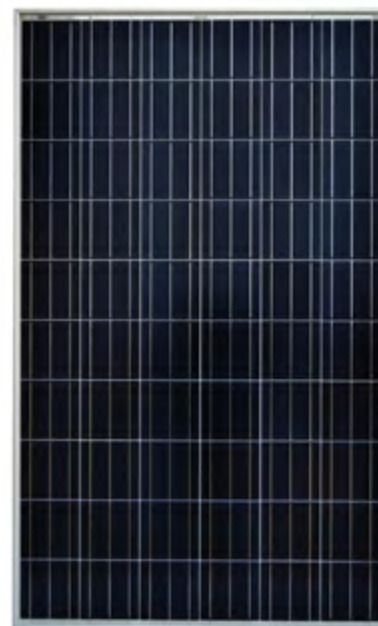
The performance warranty is for 25 years, after 12 years, modules still produce a minimum 90% of their nominal performance. After 25 years module still produce a minimum 80% of their nominal performance.

## Electrical Characteristics:

MODEL	SI-P60-250
Nominal Power (Pmax)	250W
Open Circuit Voltage (Voc)	37,5V
Short Circuit Current (Isc)	8,76A
Voltage at Nominal Power (Vmp)	30,3V
Current at Nominal Power (Imp)	8,24A
Module Efficiency (%)	15,20

## Mechanical Characteristics:

Cell type	Polycrystalline 156x156mm
Number of cells	60 (6x10)
Module dimension	1660 x 990 x 50/40mm
Weight	20kg
Front cover	TSG low-iron tempered glass
Frame	Aluminium alloy
Junction box	IP65, 3 diodes
Cable length	1200mm (+) , 800mm(-)
Connector	PV-JM601



## Temperature Coefficients:

Nominal Operating Cell Temperature (NOCT)	25°C ±2°C
Temperature Coefficients of Pmax	-0.43% / °K
Temperature Coefficients of Voc	-0.31% / °K
Temperature Coefficients of Isc	0.04% / °K
Operating Temperature	-40 °C to +85 °C
Maximum System Voltage	1000V DC
Reverse current load	15A

# Solar Water Pump Inverter 30 kW

## Application options

A wide range of integrated water application options can be fitted into the drive:

- Real time clock with battery back-up
- General purpose I/O option:
  - 3 digital inputs, 2 digital outputs, 1 analog current output, 2 analog voltage inputs
- Relay option/cascade controller option: 3 relay outputs
- External 24 VDC supply option: 24 VDC external supply can be connected to supply control and option cards

- Brake chopper option:

Connected to an external brake resistor, the brake chopper limits the load on the intermediate circuit in case the motor acts as generator.

- Extended cascade control of up to a total of 6 pumps
- Advanced cascade control of up to a total of 8 pumps
- Analogue sensor input option with up to 3 temperature sensor inputs

## Power options

**Danfoss** Drives offers a wide range of external power options for use together with our drive in critical networks or applications:

- Advanced Harmonic Filters: for applications where reducing harmonic distortion is critical
- dU/dt filters: For providing motor isolation protection
- Sine filters (LC filters): For noiseless motor and low dU/dt



## Complementary products

- A broad range of soft starters
- Decentralize drive solutions

## PC software

- MCT 10

– ideal for commissioning and servicing the drive including guided programming of cascade controller, real time clock, smart logic controller and preventive maintenance.

– comprehensive energy analysis tool, shows the drive payback time

## Specifications

### Mains supply (L1, L2, L3)

Supply voltage : 380 – 480 V  $\pm$ 10%  
Supply frequency: 50/60 Hz

### Output data (U, V, W)

Output voltage : 0 – 100% of supply voltage  
Switching on output Unlimited  
Ramp times : 1 – 3600 sec  
Closed loop : 0 – 132 Hz

### Digital inputs

Programmable digital inputs: 6  
Logic : PNP or NPN  
Voltage level : 0–24 V  
Thermistor inputs : 1

### Analog input

Analog inputs : 2  
Modes Voltage or current  
Voltage level : 0 – 10 V (scalable)  
Current level : 0/4 – 20 mA (scalable)

### Pulse inputs

Programmable pulse inputs : 2  
Voltage level : 0-24 VDC (PNP positive logic)  
Pulse input accuracy : (0.1 – 110 kHz)  
Utilize some of the digital inputs

### Analog output

Programmable analog outputs : 1  
Current range at analog output : 0/4 – 20 mA  
Max. load : (24 V) 130 mA

### Temperature

Ambient temperature : up to 55° C

# Solar Water Pump 25 HP

## Pump drive

GP pumps are primarily used for pumping of raw water from the underground. The pumps are installed in boreholes or wells, submerged below the water level. For industrial purposes the pump can be placed in e.g. a tank.

## Features and benefits

A wide pump range **GENERAL PUMP** offers energy-efficient submersible pumps ranging from 1 to 280 m<sup>3</sup>/h. The pump range consists of many pump sizes, and each pump size is available with an optional number of stages to match any duty point.

## High pump efficiency

Often pump efficiency is a neglected factor compared to the price. However, the observant user will notice that price variations are without importance to water supply economics compared to the importance of pump and motor efficiencies. The GP A and GP pumps are suitable for the following applications:

- raw-water supply
- irrigation
- groundwater lowering
- pressure boosting
- fountain applications
- mining applications
- off-shore applications.

## Material specification (GP 60 - GP 95 - GP 125)

Pos.	Component	Material	Standard	N-version	R-version
			EN/AISI		
1	Valve casing	Stainless steel	1.4301/304	1.4401/316	1.4539/904L
2	Valve cup	Stainless steel	1.4301/304	1.4401/316	1.4539/904L
3	Valve seat	NBR-FKM	NBR-FKM	NBR-FKM	NBR-FKM
7	Neck ring	NBR-FKM	NBR-FKM	NBR-FKM	NBR-FKM
8	Bearing	NBR-FKM	NBR-FKM	NBR-FKM	NBR-FKM
		LSR	LSR	LSR	LSR
8a	Washer for stop ring	Carbon/graphite	HY22	in PTFE mass	
9	Chamber	Stainless steel	1.4301/304	1.4401/316	1.4539/904L
13	Impeller	Stainless steel	1.4301/304	1.4401/316	1.4539/904L
14	Suction Cast interconnector	stainless steel	1.4308	1.4408	1.4517
15	Strainer	Stainless steel	1.4301/304	1.4401/316	1.4539/904L
16	Shaft complete	Stainless steel	1.4057/431	1.4460/329	1.4462/904L
17	Strap	Stainless steel	1.4301/304	1.4401/316	1.4539/904L
18	Cable guard	Stainless steel	1.4301/304	1.4401/316	1.4539/904L



## WATER OUTPUT DATA

Water Quantity	Litre/Hour		20000	60000	100000	120000	162500
Pump Model	GPM		88	264	440	528	715
	kW/HP	Meter/Feet	Meter/Feet	Meter/Feet	Meter/Feet	Meter/Feet	Meter/Feet
			50/165	46/152	40/132	34/112	18/59

# ACCESSORIES

## **Design and manufacture**

### **Type**

Technical feature

Weight

Loads

Test certificate

## **SITECNO Spain**

### **Modular type**

Aluminium

25 years warranty

Tamper proof nut bolt

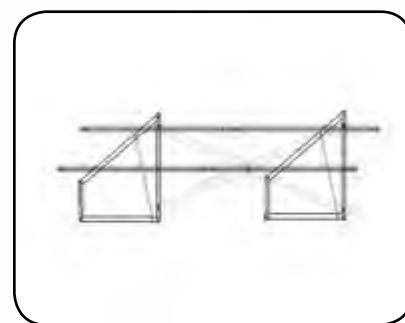
100% recyclable material

A2 Stainless steel bolts

2,49kg/m

wind, snow

CE Certifies



*Support structure*

## **Cable:**

### **Manufacture**

· Model:

· Rated Voltage:

· Rating Current:

· Cable Size:

· Proof Voltage:

· Protection Class:

· Temperature Range:

· Flame class:

### **Top Cable Spain**

SI-MC4-F

TUV 1500V DC / UL 600V DC

20-30A

2.5-4.0-6.0, 10-12-14AWG

TUV 1500V AC, 1 min

Class II

-40 to 85°C

UL94-V0



*Cable*

## **Connector:**

Flexible conductor,

Maximum service temperature:

Estimated lifetime

UV Resistant UV Resistant

Grease & mineral oils resistance:

Grease & mineral oils resistance:

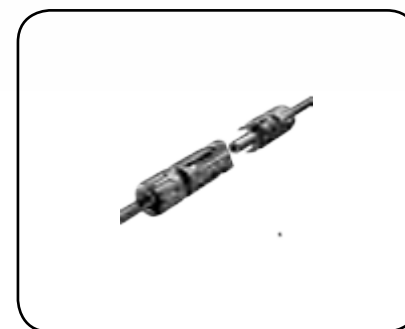
class 5

120°C

30 years.

excellent

excellent



*Cable connector MC4*

## **Wire roop:**

Material: Stainless steel

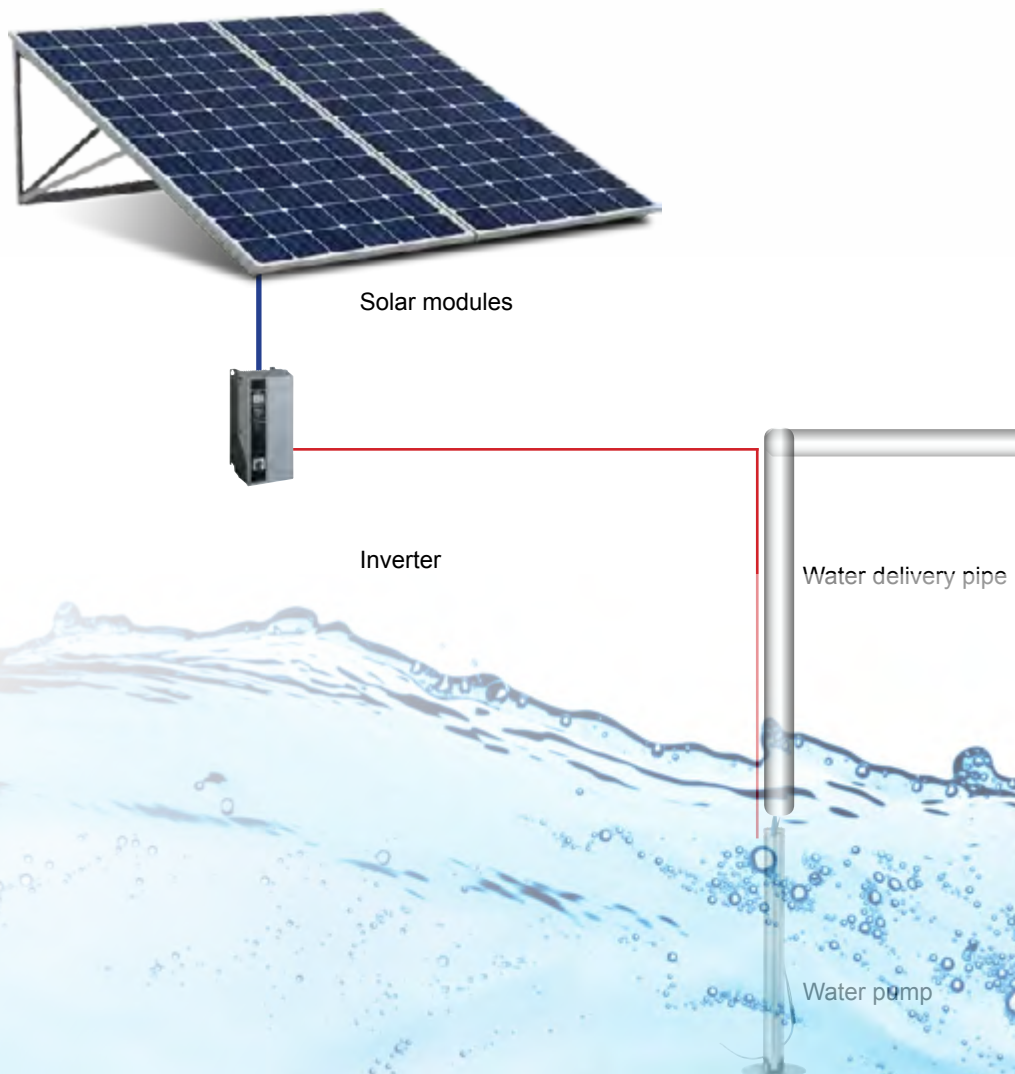


*Wire roop*

# You get it all

- FREE reliable water supply
- COST FREE-efficient pumping
- Complete plug-and-pump system
- Wide voltage range
- AC and DC voltage handling easy installation
- Virtually no maintenance
- Numerous expansion possibilities

Single line diagram



# NON STOP FREE WATER WITH SOLAR ENERGY



*Authorized distributor:*

**SITECNO GROUP**  
C/ Can balmes 1, Zona industrial,  
Santa. M<sup>a</sup>. de Palautordera,  
08460 Barcelona, Spain.  
Tel: +34 938482544  
Fax: +34 938480439  
info@sitecnosolar.eu  
www@sitecnosolar.eu

